

Portable Automatic Welding Carriage for fillet welding



BUT00B06

WEL-HANDY

MULTI NEXT

OPERATION MANUAL



For every person who will be engaged in operation and maintenance supervision, It is recommended to read through this manual before any operations, so as to permit optimum operation of this machine.

KOIKE SANSO KOGYO CO.,LTD.

INTRODUCTION

Thank you very much for purchasing this product. Read this instruction manual thoroughly to ensure correct, safe and effective use of the machine.

Read the manual first to understand how to operate and maintain the machine. Cooperation between colleagues in the workplace is essential for safe, smooth operation.

Make sure you read, understand and take all the necessary safety precautions.












SAFETY PRECAUTIONS

This product is designed to be safe, but it can cause serious accidents if not operated correctly. Those who operate and repair this machine must read this manual thoroughly before operating, inspecting and maintaining the machine. Keep the manual near the machine so that anyone who operates the machine can refer to it if necessary.

- Do not use the machine carelessly without following the instructions in the manual.
- Do not use the machine until you have thoroughly understood the explanations in the manual.
- For safety, leave the installation, maintenance, inspection, and repair of the machine to a trained person who has thorough knowledge about welding machines or to a qualified operator.
- For safety, leave the operation of the machine to a person with complete knowledge of the instruction manual and sufficient skill.
- For safety education, make use of respective lecture meetings sponsored by the Welding Society and Welding Association, as well as by headquarters and branches of related scientific societies and associations. Make use of qualification tests for welding engineers and welding technicians as well.
- After reading the manual, keep it together with the warranty within reach of people concerned. Read the manual again as necessary.
- Contact our dealers or our branch office, sales office, or local office for any obscure points.
- When this manual is lost or damaged, place an order promptly with our dealer for another copy.
- When transferring the machine, be sure to attach the instruction manual to the machine to transfer it to the next owner.

QUALIFICATIONS FOR MACHINE OPERATOR

Operators and repair staff of this machine must completely understand the contents of the instruction manual and they must be qualified and educated to handle this equipment.

Symbol	Title	Meaning
	General	General caution, warning, and danger.
	Be careful not to get your fingers caught.	Possible injury to fingers if caught in the insertion part.
	Caution: Electric shock!	Possible electric shock under special conditions.
	Ground this equipment.	Operators must ground the equipment using the safety grounding terminal.
	Pull out the power plug from the outlet.	Operators must unplug the power plug from the outlet when a failure occurs or when there is a danger of lightning.
	Caution against bursting	Possible bursting under certain conditions.
	General	General warning.
	Caution: Hot!	Possible injury due to high temperature under certain conditions.
	Caution: Ignition!	Possible ignition under certain conditions.
	Caution: Magnet	Generating a magnetic field and magnetic waves.
	Wear light shielding goggles.	Be sure to wear light shielding goggle when looking at welding arcs.
	Wear dust/gas mask.	Wear a mask when dust, smoke, or gas is to be generated during work.
	Do not lift.	Lifting the carriage is prohibited to prevent an accident due to falling.




CONTENTS

1. Safety Information	1
2. Safety precautions	2
3. Locations of safety labels	6
4. Features and specifications	7
4.1 Features	7
4.2 Configuration	7
4.3 Specifications	8
5. Method of operation	9
5.1 Name of each part	10
5.1.1 Main unit of welding carriage	10
5.1.2 Operation panel	14
5.1.3 Metric, Inch switch over settings	17
5.2 Preparation and procedure for welding	18
5.3 System connection diagram	19
5.4 Applicable welding machine and signal adaptor	19
5.5 Operational precautions	20
6. Maintenance	20
6.1 Maintenance and inspection	21
6.1.1 Daily inspection	21
6.1.2 Monthly inspection	21
6.2 Recommended spare parts	21
6.3 Trouble shooting	21
6.4 Warranty	25
7. Wiring diagram	26
8. Assembly drawing of WEL-HANDY MULTI NEXT	27
9. Parts list	28
9.1 Main body and inside parts	28
9.2 Outside parts	30
9.3 Electrical parts	32

1 Safety information

Most accidents are caused by negligence of basic safety regulations during operation, inspection, and maintenance. Carefully read, understand, and master the safety precautions and preventive measures written in this manual or on the machine before operation, inspection, and maintenance of the machine.

- Carefully read this manual before use.
- Conduct installation of motive power source on the primary side, select the location of installation, store high-pressure gas, install pipes, store products after welding, and dispose of waste in conformity with laws and your in-house regulations.
- Precautions are provided in this manual for safe operation of the machine and prevention of injury to you or other people or other damage.
- Improper handling of the machine will cause injury or damage at various levels. The levels are classified into three categories, which are represented by respective caution symbols and signal terms to call people's attention. These symbols and terms are used in the same way on the warning labels stuck to the machine.

Caution symbol	Signal terms	Definition of terms
	DANGER	Improper handling is very likely to cause death or serious injury.
	WARNING	Improper handling can cause death or serious injury.
	CAUTION	Improper handling can cause injury or physical damage. It is also used to point out dangerous habitual action.
	Notice sign	The notice sign notifies machine operators and maintenance men of precautions as to parts of the machine or peripheral equipment that will lead to breakdown.

The serious injury mentioned above refers to loss of eyesight, injury, burns (high/medium temperature), electric shock, bone fracture, poisoning which leave an aftereffect or require hospitalization or regular treatment at a hospital for an extended period of time. The injury refers to a wound, burn, or electric shock which do not need hospitalization or regular treatment at a hospital for an extended period of time. The physical damage refers to damage to assets and extensive loss due to damage to the machine.

2 Safety precautions



WARNING

Strictly observe the following to prevent accidents resulting in serious injury or death.

- This welding machine is designed and manufactured by taking safety into consideration. However, never fail to observe the warning and precautions described in this instruction manual, otherwise accidents leading to serious injury or death can result.
- Keep people out of the space around the welding machine and working area.
- The welding machine generates a magnetic field around itself. Such a magnetic field affects certain types of sensors and clocks. For the same reason, any person who have a pacemaker in his heart shall not approach the welding machine in operation or the welding space unless he has obtained doctor's permission.
- For safety, leave the installation, maintenance, inspection, and repair of the machine to a person who has thorough knowledge about welding machines or to a qualified operator.
- For safety, leave the operation of the machine to a person with complete knowledge of the instruction manual and sufficient skill.
- Do not use this machine for any purpose other than arc welding described in the instruction manual.
- Do not remodel the machine.
- Check the safety around the machine before operation to prevent accidents.
- Be sure to hold the handle when carrying the machine.
- Wear leather gauntlets when touching the machine during welding or right after operation.
Do not touch the welded surface until it has cooled.



WARNING

Strictly observe the following to prevent electric shock.



- Do not touch the charged section; otherwise fatal electric shock or burns can result. When the power on the input side is turned on, the input circuit and the inside of the welding machine are charged. Even if the input power is turned off, the capacitor may have been charged. When the welding power is output, the electrode and base metal, as well as the metal portion in contact with these, are charged.
- Never touch charged sections.
- The welding power supply case and base metal, as well as jigs electrically connected to them, shall be grounded in conformity with the law (Technical Standard for Electric Equipment) by a qualified electric engineer.
- Turn off all power supplies on the input side by means of switches in the switch boxes before installation, maintenance, and inspection. The capacitor will not discharge completely right after the input power is turned off. Check that no voltage is remaining before maintenance or inspection.
- Periodically conduct maintenance and inspection. Repair damaged parts before resuming operation.

- Do not use cables with Insufficient capacity or damaged cables whose conductors are exposed.
- firmly tighten and insulate cable connections.
- Firmly connect the welding cable on the base metal side at a location as close as possible to the base metal.
- Do not use the machine with the welding machine case or coser removed.
- Be sure to cover the input and output terminals before use.
- Do not use broken or wet gauntlets.
- Never fail to use a life-line when working in high places.
- Turn off power switches of all devices and input-side power supply when the machine is not used.
- Do not wear wet clothes.
- Do not stand on or touch the wet floor.
- Do not use the machine outdoors when it is raining.
- Do not leave the machine outdoors after use.
- Be sure to install a fuse or breaker on the input power supply side.
- Check the supply voltage of the machine before use.
The tolerance for the input supply voltage is plus or minus 10% of the rating. Use of the machine out of the folerance is prohibited.
- The metal receptacle (plug) on the tough-rubber sheath cable is threaded. Tighten it firmly.
- Be sure to ground the tough-rubber sheath cable of the machine.
- Turn off the power and stop operation in the following cases, and ask an engineer with special knowledge of electricity to repair.
 - *Broken or worn-out cables
 - *Damage due to water leakage or other liquid
 - *Malfunction of the machine inspire of operation in conformity with the instruction manual.
 - *Breakdown of the machine.
 - *Abnormal performance of the machine which requires tune-up.
- Ask an engineer with expertise to maintain, inspect, or repair the machire.
- Please make sure that any foreign material does not attach to the connector of the machine nor to the plug of the power cable when the plug of the power cable is connected to the machine.
Foreign materials can cause short-circuits or melt the connector.



CAUTION

Use protective gear to protect you and others from arc light, scattered spatters/slugs, and noise.



- The arc light includes harmful ultraviolet rays and infrared rays, causing Inflammation of eyes or burns.
- Scattered spatters and slugs can damage your eyes and cause burns.
- Noise can cause hearing difficulties.
- Wear light-shielding goggles or hand shield, which blocks light sufficiently, for welding operation or monitoring welding.
- Wear protective goggles to protect your eyes from spatters and slugs.
- Install a protective curtain around the welding site so that arc light will not reach the eyes of people around the site.
- Wear protective gear such as leather gauntlets. clothes with long-sleeves, leg cover, leather apron, helmet, and safety shoes.
- When the noise level is high, wear a noise-proofing protector.

**CAUTION**

Use protective gear to protect you and others from fumes and gas generated by welding.



- Welding generates fumes and gas. Inhalation of such fumes and gas can damage your health.
- Welding operation in a small space causes deficiency of oxygen, which is very likely to cause suffocation.
- To prevent gas poisoning and suffocation, use the local waste disposal facilities stipulated by the law (Industrial Safety and Health Law and Regulations to Prevent Damage due to Dust) or use an effective inhaler.
- When the welding space is small, ventilate the space sufficiently or wear an inhaler. Have a trained watchman monitor welding.
- Welding operation near places where degreasing, washing, or spraying is conducted may lead to generation of harmful gas. Do not conduct welding near such places.
- Welding zinc plated steel sheets or other coated steel sheets will generate harmful fumes. Remove the coating before welding, or wear an inhaler before operation.

**CAUTION**

Strictly observe the following to prevent gas cylinders from falling or bursting.



- Gas cylinders, when they fall, can cause accidents leading to death or injury.
- High-pressure gas is contained in gas cylinders. Improper handling of gas cylinders can cause a burst or emission of high-pressure gas, causing accidents that lead to death or injury.
- Handle gas cylinders in conformity with the law (High Pressure Gas Control Law).
- Do not expose gas cylinders to high temperatures.
- Set gas cylinders in a special cylinder stands to prevent the gas cylinders from falling.
- Never generate arcs on gas cylinders. Do not hook the welding torch on gas cylinders, or do not allow electrode to touch gas cylinders.
- Do not bring your head close to the discharge port when opening the valve on the gas cylinder.
- Attach a protective cap to gas cylinders when they are kept unused.
- Use a gas flow rate controller made or recommended by a welding machine manufacture.
- Read the instruction manual for the gas flow rate controller before use, and strictly observe the precautions.
- Never use a gas cylinder from which gas is leaking or a broken gas cylinder.
- Use gas cylinders only for specified purposes.
- DO not apply oil or grease to the valve on gas cylinders.
- When the valve on gas cylinders is hard to open, contact the dealer.

**CAUTION**

Strictly observe the following to prevent injury due to rotary section.



- Do not bring your hands, hair, or clothes close to the cooling fan of the welding power supply or the feeder roller of the wire feeder; otherwise you can be caught in them.
- Do not bring your head near the end of the welding torch during wire inching; otherwise the wire may stick in your eyes.
- When the spool of wire is released, you can get hurt.
- Do not use the welding machine with its case or cover removed.
- Ask a trained person who has thorough knowledge of welding machines or a qualified person to remove the case for maintenance, inspection, or repair. Install a protective fence around the welding machine to prevent people from getting near carelessly.
- DO not bring your hand, fingers, hair, or clothes close to the rotating cooling fan or the roller of the feeder.
- Do not bring your head near the end of the welding torch during wire inching.
- Secure the end of the wire with the wire stopper on the spool when storing or moving the spool of wire or when setting it in the wire feeder.
- When inserting the spool of wire into the wire guide on the wire feeder, firmly hold the wire so that it will not be released.

**CAUTION**

Strictly observe the following to prevent fire, explosion, or burst.

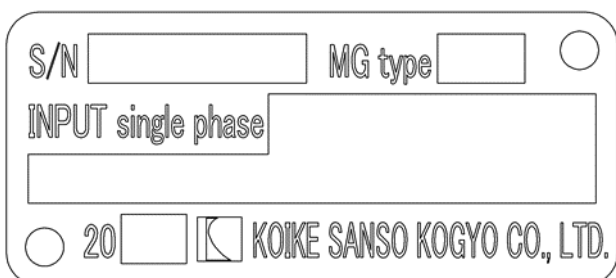
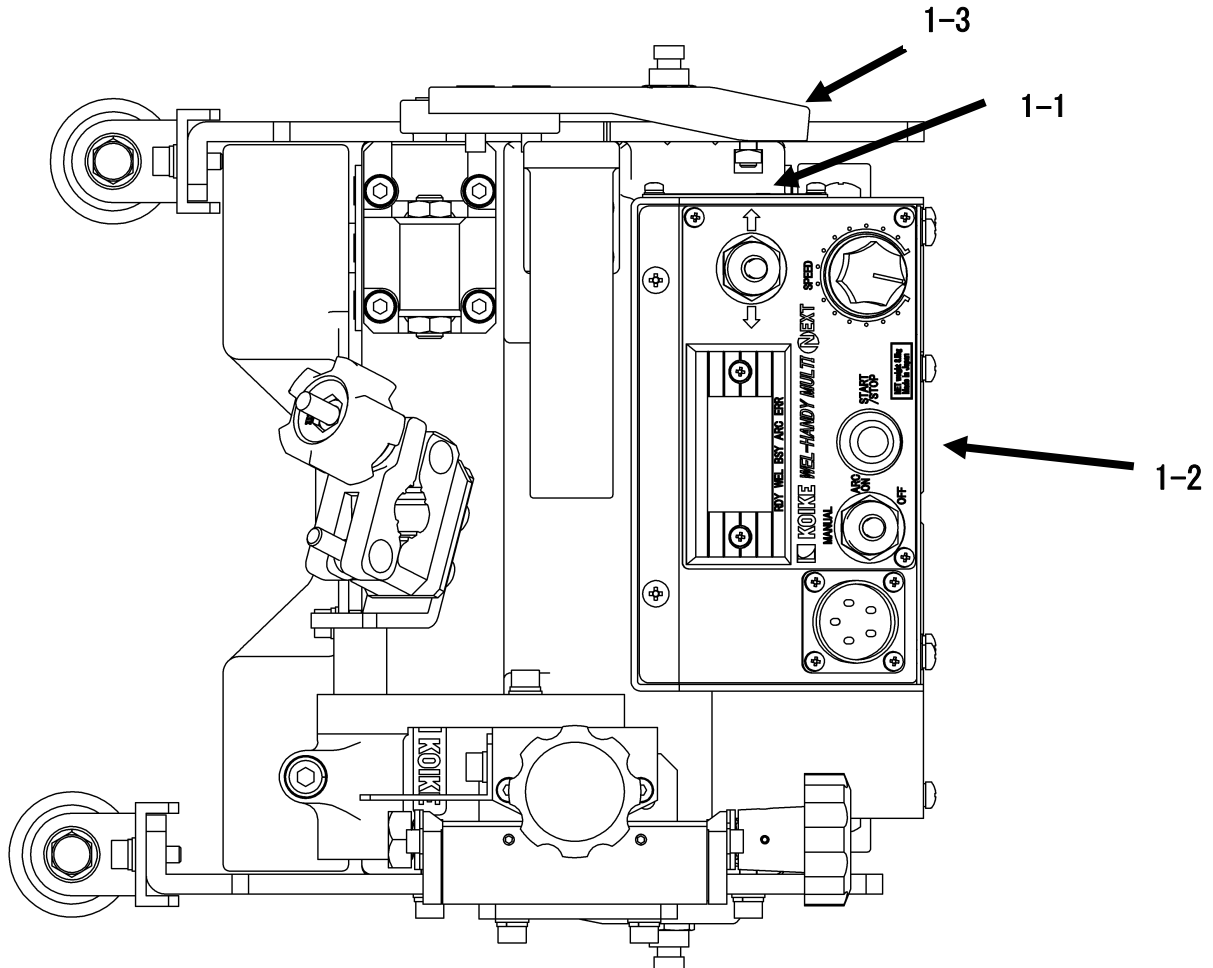


- Spatters and hot base metal right after welding can cause tire.
- Imperfect connection of cables or imperfect contact on the route of the electric current on the steel bar and other base metal can cause fire because of heating due to resistance.
- Arcs generated on the container of gasoline or other inflammables can cause explosion.
- welding of sealed tanks or pipes can cause bursts.
- Do not do welding in a place where scattered spatters will be in contact with inflammables.
- Do not do welding in a place near inflammable gas.
- Do not bring hot base metal right after welding close to inflammables.
- Welding on ceilings, floors, and walls may cause fire on the hidden side. Remove inflammables from the hidden side.
- Firmly tighten cable connections, and firmly connect the welding cable on the base metal side at a location as close as possible to the base metal.
- Do not weld gas pipes filled with gas.
- Do not weld sealed tanks or pipes.
- Provide a fire extinguisher near the welding place to prepare for the worst.
- Do not weld a container that has inflammables inside.
- Do not have a lighter, matches, or other inflammables with you during welding.

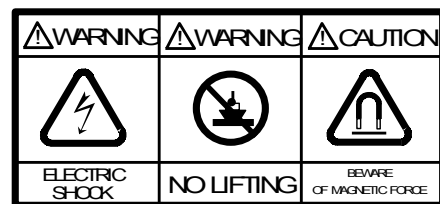
3 Location of Safety labels

Safety labels and labels for correct operations are stuck to the machine.

- Carefully read labels before operation and follow the instructions decried on them.
- Never peel off the labels. Keep them clean and legible at all times.



1-1



1-2



1-3

4 Features and specifications

4.1 Features

The WEL-HANDY MULTI NEXT has been developed to allow even unskilled operators to successfully do horizontal fillet welding (The lower plate steel plate traveling type) in a simple manner.

Major features are as follows

- 1) Compact, Light weight, Durable and Low gravity.
- 2) The powerful magnet has dramatically enhanced the tracing reliability and tractive force, thereby ensuring stable traveling.
- 3) It is able to operate plural machine by improved tracing reliability and automatic stopping function.
- 4) The direction changeover switch permits rightward/leftward traveling.
- 5) The roller arm is possible the change of taking in and out with one-touch operation due to the fixation ceremony by the screw.
- 6) The height of the tracing roller can be changed in extensive.
- 7) Motor with encoder is installed and actual speed is displayed on digital meter.
- 8) By pressing the Limit switch while stopping of carriage, carriage moves at constant speed and it becomes easy to align.
- 9) The structure of the driving portion is newly developed, has been improved endurance performance.
- 10) New magnet up / down mechanism was developed, magnet desorption became possible with a light force, maintainability was improved.
- 11) It is equipped with an overload detective function of the motor, to minimize the damage to the work caused by continuing the welding of the steel plate, when this carriage is stopped by the load from outside in any case.

The above features are expected to exhibit their effects in terms of "welding efficiency" and "operation by unskilled workers."



4.2 Configuration


- | | |
|-------------------------------|----------|
| 1) Main unit | 1set |
| 2) Accessories | |
| *Hexagon wrench (M6/M5) | 1pc each |
| Instruction manual, Guarantee | 1pc each |



4.3 Specifications

Item	Specifications
Model	WEL-HANDY MULTI NEXT
Driving method	Rubber roller 4 wheeler driving (permanent magnet absorption type) (Lower plate traveling system, traveling surface is steel plate)
Traveling speed	50~1500mm/min/ 2.0~59.0inch/min
Torch adjustable range	Horizontal angle: 40~55° Swept forward angle/sweep back angle : 5° Up and down : 50mm/1.97inch Back and forth : 50mm/1.97inch
Welding reserve	Total start and end : About 277mm/10.9inch
Applied position	Horizontal fillet
Profiling method	Stand plate press method
Control source	AC100~240V $\pm 10\%$ 0.65~0.35A 50-60Hz
Electric power supply and interlock	Torch switch signal (connected to wire supply device) (A contact output of Self-holding type Relay)
Operation switch (operation panel)	Travelling direction changing over switch, Digital Meter, travelling speed adjustment switch, START/STOP button Arc mode changing over switch (MANUAL, ARC ON,ARC OFF)
Traceable range	Gentle curve line (more than 5m/16.4feet radius)
Weight of carriage main body	8.5kg/18.74lb
Traction force	16kg/35.27lb
Dimension	L280 x W280 x H255 ~ 300mm/L11.02 x W11.02 x H10.04 ~ 11.81inch

5 Method of operation

 WARNING	<p>Kindly take care about following things to avoid getting an electric shock.</p>
	<ul style="list-style-type: none"> ● Kindly remove input plug from outlet while checking, dis-assembling or repairing and turn OFF the control source while leaving. If it is necessary to carry out checking in the energized state, professional engineer having enough knowledge and skill about electric handling should go since there is risk of short circuit, getting electric shock.
<ul style="list-style-type: none"> ● Do not use welding equipment without case or cover. ● Kindly use power outlet with earth pin outlet since input plug has earth pin. It is connected to main body of carriage in operation panel. ● Kindly use input voltage within $\pm 10\%$ for power supply input to input plug (Kindly use input voltage in the range of AC100V~AC240V) There is risk of short circuit due to failure of printed board on operation panel. ● In case of crack in insulation cover of power cable and torch cable, do not expose it to high temperature. There is risk of short circuit due to tearing of insulation covering. ● Kindly weld below the rated current and usage rate of torch to prevent dielectric breakdown due to overheating. ● Kindly place power cable and torch cable in proper manner so that they are not stretched or pulled. There is possibility of breakage of insulation by damaging holding part and connector part due to pulling. ● Do not throw or drop main body of carriage. There is risk of damaging insulation by breaking. ● While connecting to power cable plug to main body, kindly connect after verifying that foreign object is not touching to connector of main body, power cable plug. There is risk of connector erosion due to short circuit by foreign object. 	

 WARNING	<p>Strictly observe the following to prevent burns.</p>
<ul style="list-style-type: none"> ■ Never directly touch the torch nozzle, tip, orifice, insulation cylinder, and the surface of the carriage which are very hot right after welding. 	

 WARNING	<p>Kindly take care about following things to avoid falling off of carriage</p>
	<ul style="list-style-type: none"> ● Do not lift the carriage by holding its Handle. There is risk of falling off carriage while holding carriage by handle, if there is shock impact at carriage or if mounting screw of handle is loose.

**CAUTION**

Set the welding power switch in the "No Self-Holding (or No Crater Treatment)" position.

- When the switch of the welding power supply, which is to be connected to the welding machine, is set in the "Self.Holding (or Crater Treatment)" position, the welding arc will not stop even if the welding operation is stopped.

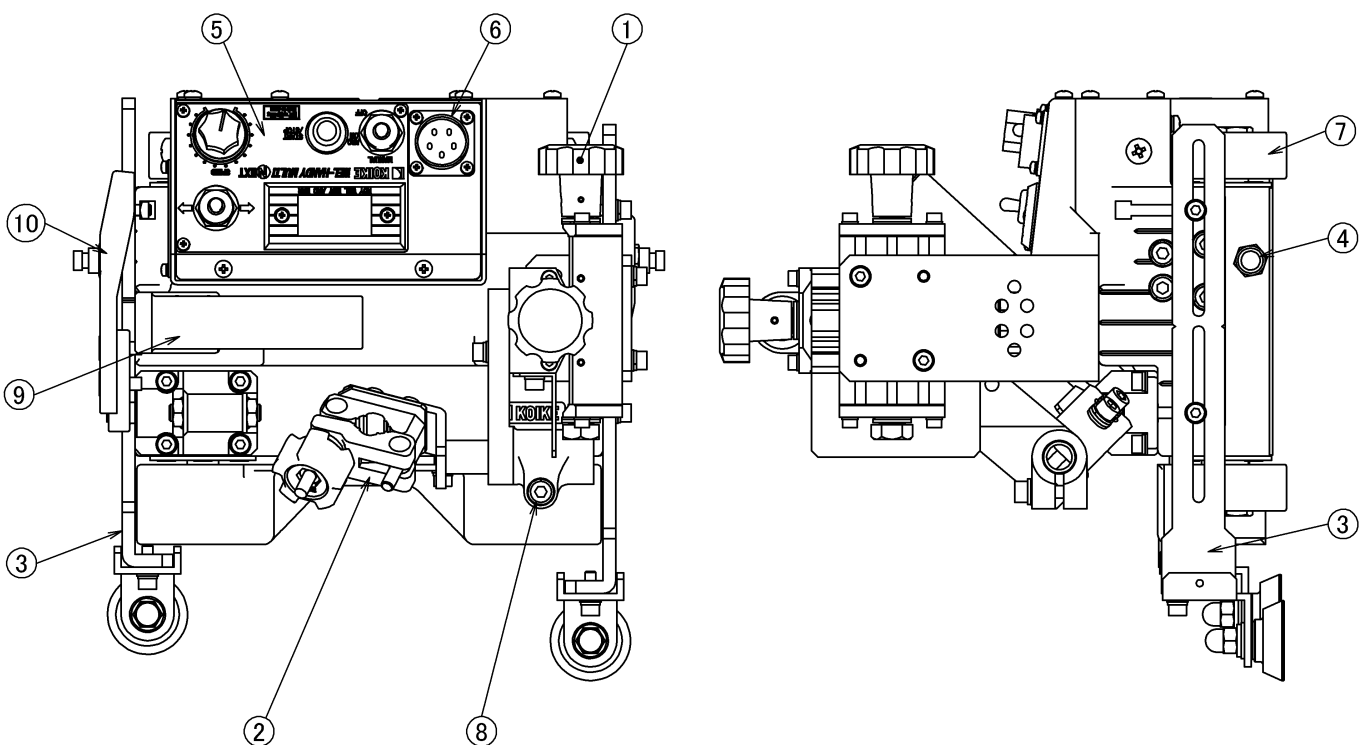
5.1 Name of each part**5.1.1 Main unit of welding carriage**

Fig.1 Name of each part

(1) Slide unit assembly

The arc point can be adjusted toward UP/DOWN or FRONT/REAR.

The each stroke is 50 mm / 1.97inch.

(2) Torch holder

Insert the exclusive use torch mounting section into the torch holder to secure it.

**WARNING**

Secure the insulated section of the torch when mounting it.



- When the conductive section is secured, a short circuit and/or electric shock can result.

(3) Guide roller and arm

Press them against the vertical plate for welding by tracing.

Kindly fit doorway of Guide Roller Arm as shown in Figure 2.

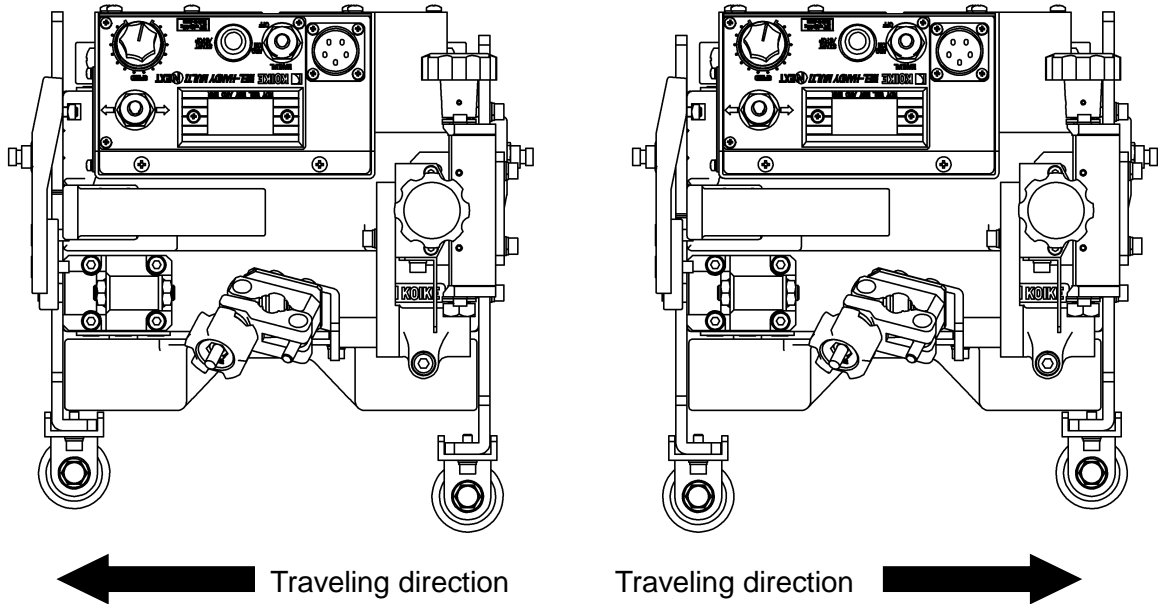


Fig.2 doorway of Guide Roller Arm

The height of the guide rollers can be adjusted by changing the attaching method.

The height can be adjusted in the range of -19mm(0.748inch)~ 16mm(0.630inch)and 67mm(2.638inch)~ 102mm(4.016inch)from the contact patch of a tire.

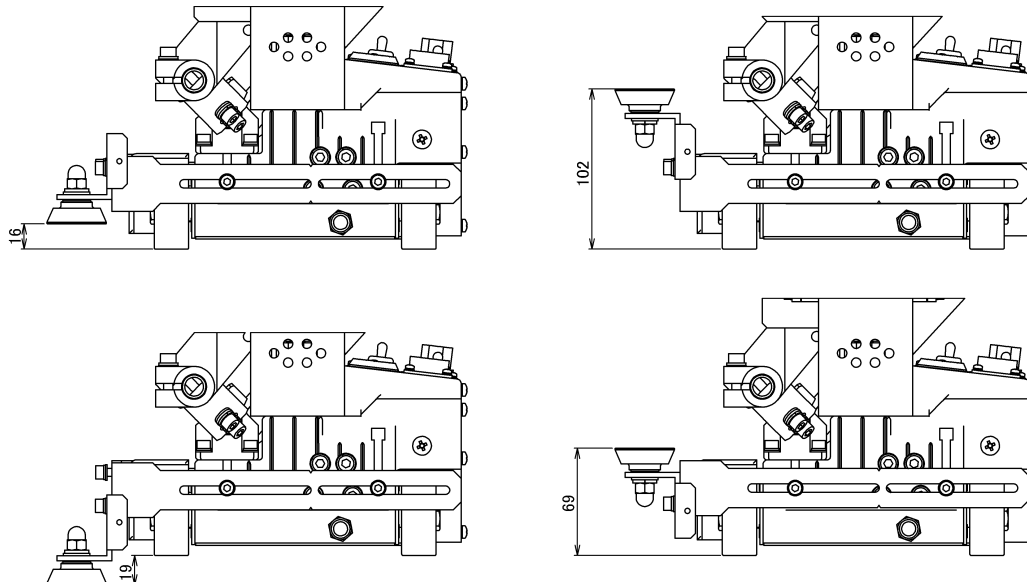



Fig.3 Height of guide roller


16mm	=0.630inch
19mm	=0.748inch
67mm	=2.638inch
102mm	=4.016inch

	CAUTION
Please attach the fixing bolt of the roller arm in accordance with the spot facing of the arm. (2 piece in all of)	
<ul style="list-style-type: none"> ■ When it is used in the condition where the fixing bolt missed from the spot facing the limit switch does not act normally and sometimes become. 	

(4) Limit switch (“Fine tuning button for positioning” at the time of stopping of carriage)

These are provided on both sides of the carriage, serving as (welding) stop button.

By pressing Limit switch at the time of stopping of carriage, carriage moves towards opposite direction of pressed Limit switch only while switch is in pressed state. Kindly use it while fine tuning movement at the time of positioning of carriage.

	CAUTION
Do not apply impact to the limit switch.	
<ul style="list-style-type: none"> ■ When impact is applied to the limit switch, it can be broken. When the limit switch is broken, the automatic stopping function will not work, and arcs and the traveling carriage will not stop. 	



(5) Operation panel

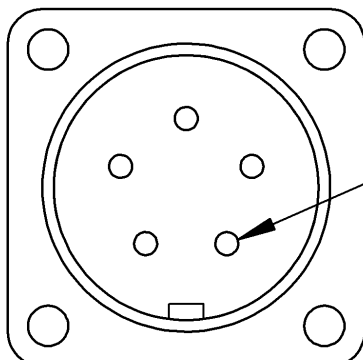
The detail is shown below.

(6) Receptacle

Kindly connect power cable to this receptacle.

The cable is connected between the control panel and the wire feeder, as well as power supply. (The cable is divided in the middle into one for the wire feeder and another for the input power.)

	WARNING
Never fail to ground the clip.	
	<ul style="list-style-type: none"> ■ The grounded clip prevents short circuits or electric shock which results from a short circuit in the carriage, etc.



Ground wire position (No.3)

(7) Driving wheel (Rubber roller)



(8) Torch angle adjusting bolt

Used to set the torch angle. Loosen the bolt and swing the torch for setting within the range of 40-55 degrees.

(9) Handle

It is knob/grip used while transporting carriage.

If mounting screws of knob are removed, 90° direction of knob can be changed.

 WARNING	<p>Do not lift carriage by holding handle</p>
	<p>•Do not lift carriage by holding its Handle. There is risk of falling off carriage while holding the carriage by handle, if there is shock impact to carriage or if mounting screw of handle is loose.</p>

(10) Magnet lever

It can be used for magnet ON/OFF.

The upper position is magnet OFF and the lower position is magnet ON.

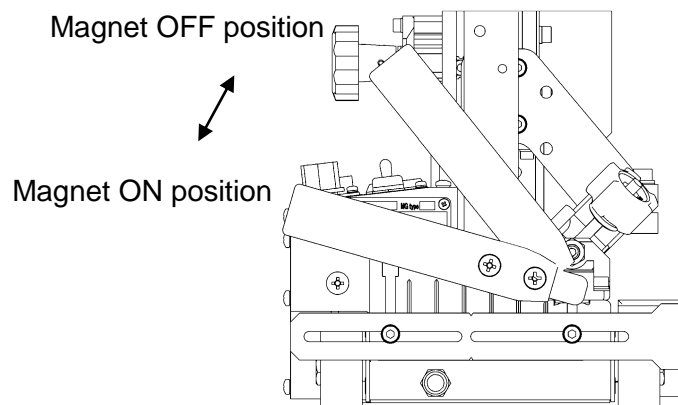






Fig.4 Magnet lever

 CAUTION	<p>There is the possibility that the magnet absorbs automatically.</p> <p>(1) There is the possibility that the magnet absorbs automatically when it set it to the steel plate. Please pay attention because there is the possibility that the magnet lever works and insert the hand and clothes.</p>
---	---

 CAUTION	<p>When it peels off favor from the steel plate the magnet lever is automatic and become off.</p> <p>(1) When it peels off it from the steel plate the lever returns automatic. Please pay attention because there is the possibility that the magnet lever works and insert the hand and clothes.</p>
---	---

5.1.2 Operation panel

V4.02

 WARNING	Kindly take care about following things to avoid getting an electric shock.
	<ul style="list-style-type: none"> ■ Kindly remove input plug from outlet while checking, dis-assembling or repairing and turn OFF the control source while leaving. If it is necessary to carry out checking in the energized state, professional engineer having enough knowledge and skill about electric handling should go since there is risk of short circuit, getting electric shock.
<ul style="list-style-type: none"> ● Do not use welding equipment without case or cover. ● Kindly use power outlet with earth pin outlet since input plug has earth pin. It is connected to main body of carriage in operation panel. ● Kindly use input voltage within $\pm 10\%$ for power supply input to input plug (Kindly use input voltage in the range of AC100V~AC240V) There is risk of short circuit due to failure of printed board on operation panel. ● In case of crack in insulation cover of power cable and torch cable, do not expose it to high temperature. There is risk of short circuit due to tearing of insulation covering. ● Kindly place power cable and torch cable in proper manner so that they are not stretched or pulled. There is possibility of breakage of insulation by damaging holding part and connector part due to pulling. ● Never fail to turn OFF the power switch (1) before attaching or detaching the metal plug. ● When you remove the plug, put rubber cap on the receptacle to prevent dust and dirt. ● When you found dust and dirt in the receptacle, remove these before connecting electric power cable plug. 	

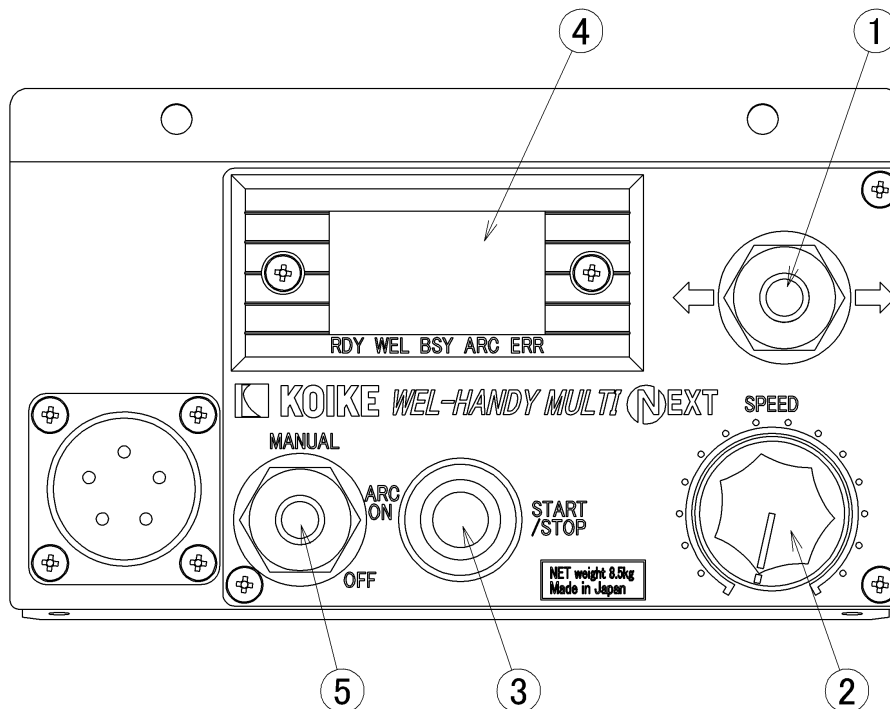


Fig5 Operation panel

(1) Traveling direction changing over switch

It is possible to select traveling direction of carriage. When switch position is neutral, carriage cannot travel or move.

(2) Traveling speed adjustment switch

Kindly turn carriage in clockwise direction to increase speed of carriage and turn it in anti-clock wise direction to reduce speed of carriage.

(3) START/STOP button

It is welding Start/Stop switch.

If START/STOP button is pressed while carriage is stopped, carriage starts traveling at the same time of display of torch switch signal.

If START/STOP button is pressed while carriage is travelling, carriage stops at the same time of stopping of torch switch signal.

※When an error occurs, the error display is reset when you press the START / STOP switch . However , error if there is still cause of the error occurs again . Check each error Solution , please remove the cause .

(4) Digital Meter

It displays traveling speed of carriage. Unit is mm/min or inch/min.

Operation state of carriage can be known by the lower LED display from digital display.

RDY : It turns ON when electric supply of carriage is ON.

WEL : It turns ON when welding signal is displayed while carriage is travelling.

<About error numbers> Error indications are three-digit numbers that start with "E.". Example indication **E010**

Error number	Error details	Cause	Corrective action
001	Link unit configuration failure error	There may be a contact failure in the wiring between electrical boards (connector numbers CN2, 3 for all boards in common, connector numbers CN4, 5 for the L-DSP display board).	Check for cable disconnections, and for contact failures of connectors and crimp-type terminals. (The LEDs on each board will flash when the power is turned on: if the LEDs do not flash or light, the circuit board may be faulty.)
002	Power failure detection error	This is an error that occurs on other equipment.	In the event that it is displayed, contact the distributor where you purchased this product or our sales office.
003	Inverter error		
004	Emergency stop error		
005	3-phase power supply error		
006	Breaker OFF error		
007	Encoder line connection error	The encoder line may be connected to MD-CN10 on the L-MD-A board.	Connect the encoder line to MD-CN5.
008	Motor deviation error	There may be a contact failure on the motor line or the encoder line.	Check for disconnections in all wires, and for contact failures of connectors and crimp-type terminals. Connect the motor line to MD-CN4, and the encoder line to MD-CN5, on the L-MD-A board.
010	Welding current detection signal ON timeout (5 seconds) error	This is an error that occurs on other equipment.	In the event that it is displayed, contact the distributor where you purchased this product or our sales office.
011	Signal logic inversion error while detecting welding current		
012	Encoder selection error		
013	Unit configuration unsuitable error		
014	Weld movement distance during tack operation error		
016	Servo driver error	This is an error that occurs on other equipment.	In the event that it is displayed, contact the distributor where you purchased this product or our sales office.
017	Copying signal error		
018	Thermal guard error		
019	Thermal guard error		
020	Link unit configuration failure error		
021	X-axis-direction derailing error		
022	Y-axis-direction derailing error		
023	Z-axis-direction derailing error		
024	Motor overload error (encoder equipped)	An abnormal load may be being applied to the drive section or motor.	Remove any abnormal load from the drive section or motor.
025	Carriage backup error (Parameter)	It is possible that the power was turned off during carriage operation or fine adjustment movement by limit switch, and the backup was not implemented correctly.	Turn the power off and back on again. If the error display indication is not cleared after repeating the above several times, replace all the circuit boards being used.
026	Carriage backup error (System Parameters)		
125	WU-5R backup error (parameter)	This is an error that occurs on other equipment.	In the event that it is displayed, contact the distributor where you purchased this product or our sales office.
126	WU-5R backup error (System Parameters)		

※ To recover from an error, unplug the power cable from the operation panel, turn off the power supply, check the corrective action described above, plug the power cable back into the operation panel and turn the power back on.

※ When an error occurs, the error indication is reset by pressing the START/STOP button, but eliminate the cause by referring to the corrective action described above before pressing the button.

(5) Arc mode changing over switch

There can be 3 modes of changing over in 3 point changing over switch as shown below.

MANUAL : Kindly use it in wire inching and arc test. Wire comes out only while switch is on MANUAL.

※ Kindly take care as Arc is generated if torch end is touching welding material.

ARC ON : Kindly use this position in normal welding operation.

Carriage starts traveling automatically after start of welding by pressing START/STOP button.

ARC OFF : Only traveling of carriage is possible without welding operation by pressing START/STOP button at this position.

**CAUTION**

Please do not press the START / STOP button while you are down to MANUAL side.

● Press the START / STOP button while you are down to MANUAL side , and back to the ARC ON continues to output the arc signal , and then traveling trolley and to ARC OFF. Again , the running of the arc output and the truck and press the START / STOP button will stop . Please be when subjected to the above-mentioned operation and restart to turn OFF the power once.

5.1.3 Metric, Inch switch over settings

- (1) Turn OFF the electric supply.
- (2) Set volume at minimum or maximum.
Minimum value : Milli specification
Maximum value : Inch specification
- (3) Turn ON the Start switch while MANUAL SW is turned ON
- (4) Turn ON the electric supply while the state is as mentioned in point (2), (3).
Continue with switch operation till speed is displayed.
- (5) Turn OFF the electric supply if speed is displayed.
- (6) Turn ON the electric supply again. (changing over completion) switch operation is not necessary.

※ Initial setting is Milli specification.

※ While using in Inch specification, kindly change it to Inch specification by above mentioned operation while changing internal board.

※ Kindly keep interval between turning ON/OFF of electric supply for more than 2 seconds.

※ Kindly carry out verification by traveling speed display after completion of changing over (10~1500Milli specification, 2.0~59.0 Inch specification)

5.2 Preparation and procedure for welding

Conduct welding in the following manner, while referring to the Fig. 6 “System connection diagram” and the operation procedure in item 5.1.



WARNING

Strictly observe the following to prevent electric shock.



- Turn OFF the control power and welding power, and then conduct operations from (1) to (4) shown below.
- When you remove the plug, put rubber cap on the receptacle to prevent dust and dirt.
- When you found dust and dirt in the receptacle, remove these before connecting electric power cable plug.

- (1) Remove rubber cap, then connect the control cable to metal socket on the control panel.
- (2) Mount the exclusive use torch on the torch holder.



CAUTION

When tightening the torch holder, use the accompanying wrench bar or other tools in an appropriate size.

- Improper tool can cause unexpected injury.

- (3) Connect the torch to the mating wire feeder.
- (4) Connect the 2-core metal plug of the control cable to the metal socket of the wire feeder and the input power plug to the nearest outlet.

(Note) The only interfacing signal with the welding power supply is the torch signal, which is an output from the A-contact point at a salt-holding type.



CAUTION

Set the welding power supply side in the “No Self-Holding (or No Crater Treatment)” position.

- When it is set in the “Self-Holding (or Crater Treatment)” position, arcs will not stop even if welding is completed.

- (5) Turn ON the power switch of the welding power supply and insert the wire into the torch. (Insert the torch cable straightly.)



CAUTION

When inserting the wire, do not bring your head near the wire that comes out of the tip.


- Your eyes can be damaged.

- (6) Press the tracing roller against the vertical plate, and set the carriage in the welding position.
- (7) For attraction by magnet, incline the magnet lever as shown in Fig.3.
- (8) Turn the handle of the slide unit assembly (UP/DOWN or FRONT/REAR) for torch position alignment.
- (9) Select the welding direction and set the welding speed.
- (10) Determine the start position.

Positioning of carriage (fine tuning) can be carried out easily by pressing Limit switch.

(11) Set the welding conditions by means of the welding power supply.


(12) Press the start/stop button and start welding. (Arcs will be generated at the same time.)

	<p>CAUTION</p> <p>Pay attention to the following during welding.</p> <p>■ Wear a welding mask, face guard, and welding protectors to protect yourself from arc light, fumes, and spatters.</p>
---	--

(13) Finely adjust the welding conditions (current, voltage, speed, etc.) as necessary.

(14) Welding can be stopped by means of the stop switch or Limit switch.

(While the carriage stops, arcs stop at the same time.)

	<p>CAUTION</p> <p>Please always is the trolley when the power is turned OFF to go to during the stop.</p> <p>■ Truck will be successfully backed up the inside of the Parameter When you turn OFF the power supply during the stop. You can not properly back up the Parameter and turn OFF the power during operation.</p>
---	---

5.3 System connection diagram

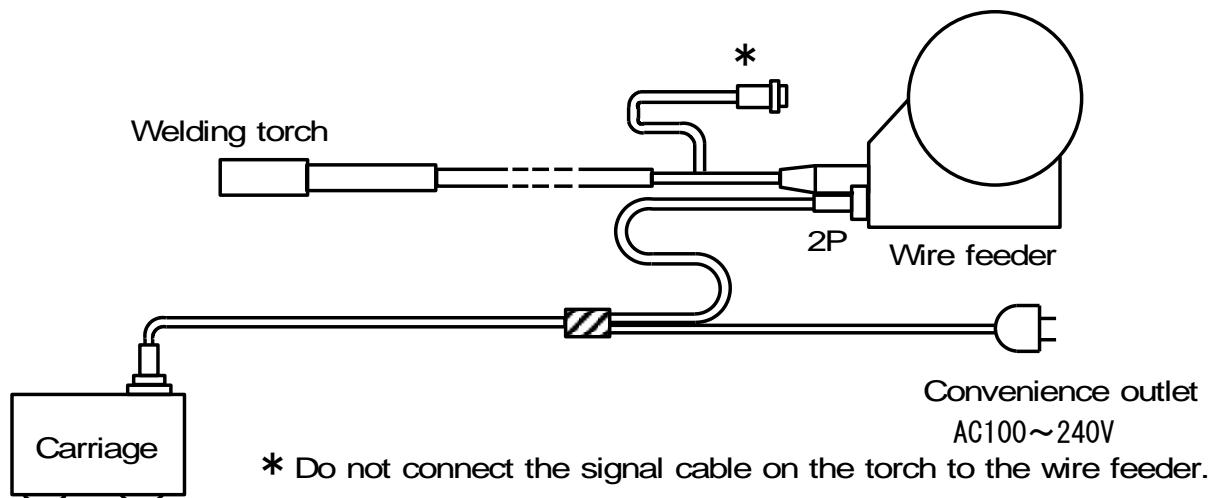


Fig.6 System connection diagram

5.4 Applicable welding machine and signal adaptor

This welding machine is to be used in combination with a semi-automatic (CO₂, MAG) welding machine (power supply and feeder) available on the market.

The only electric signal interface with the welding machine is the torch signal, and the welding machine outputs (relay A-contact point) a self-holding type signal. Set the switch on the welding power supply side in the "No Self-Holding" position.

The signal cable plug is D25-2P (connectable to wire feeders made by Matsushita or Daihen). Plugs for connection to wire feeders of other manufacturer are also available as options. Contact us in that case. Contact the manufacturer of the wire feeder you use for purchasing a correct torch that matches the feeder.



(Note) The welding cable, gas hose and torch switch cable must be connected to the wire feeder. The connecting hardware and connector differ according to power supply manufacturer. Use the correct ones.


5.5 Operational precautions

- 1) Make sure that the operating voltage is as specified, If the difference exceeds plus or minus 10% of the input power, trouble can occur.
- 2) Clean the traveling surface to remove remaining bars, slugs, spatters, etc. before starting welding. (For prevention of slippage during welding.)
- 3) When long cables are necessary, take appropriate measures for the cables to prevent catching or entanglement by means of a jig crane, etc.

6 Maintenance

For correct operation of the machine for an extended period of time without trouble, the daily maintenance is indispensable. (Refer to 6.1 "Maintenance and inspection.")
 When trouble occurs, refer to 6.3 "Trouble and corrective measures."

 WARNING	<p>Kindly take care about following things to avoid getting an electric shock.</p>
	<ul style="list-style-type: none"> ● Kindly remove input plug from outlet while checking, dis-assembling or repairing and turn OFF the control source while leaving. If it is necessary to carry out checking in the energized state, professional engineer having enough knowledge and skill about electric handling should go since there is risk of short circuit, getting electric shock.
	<ul style="list-style-type: none"> ● Do not use welding equipment without case or cover. ● Kindly use power outlet with earth pin outlet since input plug has earth pin. It is connected to main body of carriage in operation panel. ● Kindly use input voltage within $\pm 10\%$ for power supply input to input plug (Kindly use input voltage in the range of AC100V~AC240V) There is risk of short circuit due to failure of printed board on operation panel. ● In case of crack in insulation cover of power cable and torch cable, do not expose it to high temperature. There is risk of short circuit due to tearing of insulation covering. ● Kindly weld below the rated current and usage rate of torch to prevent dielectric breakdown due to overheating. ● Kindly place power cable and torch cable in proper manner so that they are not stretched or pulled. There is possibility of breakage of insulation by damaging holding part and connector part due to pulling. ● Do not throw or drop main body of carriage. There is risk of damaging insulation by breaking. ● While connecting to power cable plug to main body, kindly connect after verifying that foreign object is not touching to connector of main body, power cable plug .There is risk of connector erosion due to short circuit by foreign object.

	<p>WARNING As for the attachment, removal of the drive wheel, please use 2 spanners without fail.</p>
	<ul style="list-style-type: none"> ■ Hold the driving wheel of the other side, when attaching or removing the driving wheels. And then loosen the hexagon nut on the side of attaching or removing the driving wheels. There is the possibility that damages the part of drive relation.

6.1 Maintenance and inspection

6.1.1 Daily inspection

- (1) Clean the nozzle and check the tip for abrasion.
- (2) Clean wheels. (Removal of iron powder etc.)
- (3) Check guide rollers for smooth rotation. (Cleaning)
- (4) Remove spatters from the carriage.




6.1.2 Monthly inspection




- (1) Check the locking screws of the motor bracket, torch holder, tracing arm, handle, carriage bottom plate, etc. for looseness.
- (2) Check cables (torch and control) for twisting or broken sheathing.
- (3) Confirmation of the operation of auto stop limit switch.
- (4) Confirmation of smooth operation of the control unit by means of the front/rear, up/down control knob.
- (5) Check the switches on the operation panel for looseness or breakage, and confirm the operation of switches.
- (6) Clean the conduit liner of the torch.
- (7) Check the operation panel, switches, and controls for looseness or breakage. Check their operation.
- (8) Check whether the magnet behavior is not hard. Apply grease when operation is stiff (Refer to parts list for specified grease)

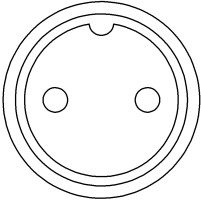
6.2 Recommended spare parts




- (1) Guide roller
- (2) Driving roller
- (3) Each switch
- (4) Printed circuit board

6.3 Trouble shooting

Defects	Cause/check position				
(1) Slipping off of profiling while traveling	<ol style="list-style-type: none"> 1) Guide roller is not rotating. 2) Cable is stuck in and it is blocking smooth traveling of carriage. 3) Traveling surface is not smooth and wheel cannot touch the surface. 4) Lot of sputter is adhered on driving roller and carriage is not rotating smoothly. 				
(2) No electric power supply	<ol style="list-style-type: none"> 1) No power supply voltage to outlet 2) Cable is disconnected <table border="1" style="width: 100%; border-collapse: collapse;"> <tr> <td style="text-align: center; width: 30%;">WARNING</td> <td>Kindly take care about following things to avoid getting an electric shock.</td> </tr> <tr> <td style="text-align: center;">  </td> <td> <ul style="list-style-type: none"> ● Since above mentioned 1) and 2) checking are to be carried out while control power supply is ON, professional engineer having enough knowledge and skill about electric handling should go to prevent risk of short circuit getting an electric shock. </td> </tr> </table>	WARNING	Kindly take care about following things to avoid getting an electric shock.		<ul style="list-style-type: none"> ● Since above mentioned 1) and 2) checking are to be carried out while control power supply is ON, professional engineer having enough knowledge and skill about electric handling should go to prevent risk of short circuit getting an electric shock.
WARNING	Kindly take care about following things to avoid getting an electric shock.				
	<ul style="list-style-type: none"> ● Since above mentioned 1) and 2) checking are to be carried out while control power supply is ON, professional engineer having enough knowledge and skill about electric handling should go to prevent risk of short circuit getting an electric shock. 				

<p>(3) Traveling speed of carriage is not changing</p>	<p>1) Defect, disconnection of traveling speed adjustment switch * Kindly verify conduction between Variable resistor and L-DSP-A board by tester when power supply is turned OFF.</p> <ul style="list-style-type: none"> ▪ When it is conducting Kindly verify whether resistance value between variable resistor terminals is changed by tester. ▪ When it is not conducting There is disconnection of electric wire. Kindly replace the same. <table border="1" data-bbox="679 568 1450 1050"> <tr> <td data-bbox="679 568 943 674"> <p>WARNING</p> </td> <td data-bbox="943 568 1450 674"> <p>Kindly take care about following things to avoid getting an electric shock.</p> </td> </tr> <tr> <td data-bbox="679 674 943 1050">  </td> <td data-bbox="943 674 1450 1050"> <ul style="list-style-type: none"> ● Kindly carry out continuity check by tester while electric supply is turned OFF. ● Since above mentioned 2) and 3) checking are to be carried out while control power supply is ON, professional engineer having enough knowledge and skill about electric handling should go to prevent risk of short circuit, getting an electric shock. </td> </tr> </table> <p>2) Defective motor 3) Defective printed board 4) Disconnection of motor encoder line</p>	<p>WARNING</p>	<p>Kindly take care about following things to avoid getting an electric shock.</p>		<ul style="list-style-type: none"> ● Kindly carry out continuity check by tester while electric supply is turned OFF. ● Since above mentioned 2) and 3) checking are to be carried out while control power supply is ON, professional engineer having enough knowledge and skill about electric handling should go to prevent risk of short circuit, getting an electric shock.
<p>WARNING</p>	<p>Kindly take care about following things to avoid getting an electric shock.</p>				
	<ul style="list-style-type: none"> ● Kindly carry out continuity check by tester while electric supply is turned OFF. ● Since above mentioned 2) and 3) checking are to be carried out while control power supply is ON, professional engineer having enough knowledge and skill about electric handling should go to prevent risk of short circuit, getting an electric shock. 				
<p>(4) No welding operation and no traveling of carriage at the pressing of START/STOP button while stopping of carriage</p>	<p>1) Limit switch at carriage traveling direction side is pressed. ※ Carriage starts traveling by pressing Limit switch which is at opposite side of carriage traveling direction. 2) Defective START/STOP button 3) Defective printed board 4) Defective Limit switch or disconnection Limit switch</p>				
<p>(5) There is welding operation but no traveling of carriage at the pressing of START/STOP button while stopping of carriage</p>	<p>1) Defective printed board 2) Disconnection of motor (disconnection of DC line or disconnection of both DC line and encoder line)</p>				

<p>(6) There is traveling of carriage but no welding operation at the pressing of START/STOP button while stopping of carriage</p>	<p>1) ARC OFF option is selected in Arc mode changing over switch. 2) No welding current. 3) The signal cable for the torch switch is not connected to the welding power supply. 4) Check for a short circuit between the 2pins of the 2-pin metal outlet for the torch switch (see figure below) on our cable. If it is a dedicated torch, check for a short circuit between the 2pins of-the 2pmetal outlet for the torch switch connected to the feeder.</p> <ul style="list-style-type: none"> ▪ In case of short circuit, welding current is defective ▪ In case of no short circuit, there must be disconnection of cable , defective printed board  <p>Connector shape reference</p>
<p>(7) No stopping of welding operation and traveling of carriage at the pressing of START/STOP button during welding operation</p>	<p>1) Defective START/STOP button 2) Defective printed board</p>
<p>(8) There is stopping of traveling of carriage but no stopping of welding operation at the pressing of START/STOP button during welding operation</p>	<p>1) Should be “with Self holding” option selected at welding current. * Kindly set it to “Without self-holding”. 2) Defective printed board.</p>
<p>(9) There is stopping of welding operation but no stopping of traveling of carriage at the pressing of START/STOP button during welding operation</p>	<p>1) Defective printed board</p>

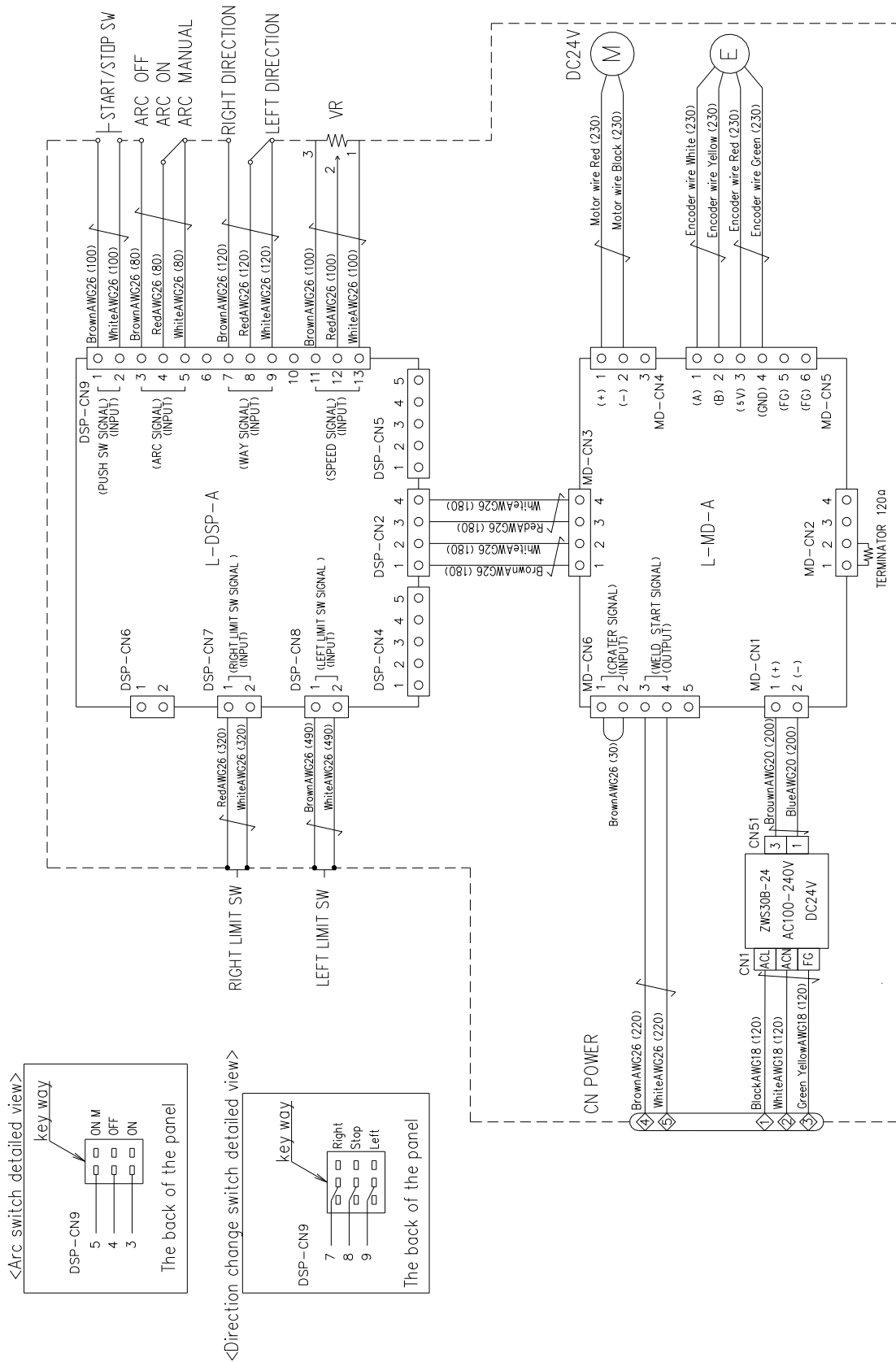
<p>(10) No stopping of welding and traveling of carriage even at pressing of Limit switch</p>	<p>1) Limit switch is not pressed completely. 2) Defective Limit switch *Kindly verify conduction of terminal 1- terminal 4 of Limit switch by tester. At normal conduction, it makes “click” sound at pressing of Limit switch and it turns OFF the conduction between terminals at the same time.</p> <table border="1" data-bbox="679 450 1449 651"> <tr> <td data-bbox="679 450 943 551">  WARNING </td> <td data-bbox="943 450 1449 551"> Kindly check the conduction between terminals by tester while electric supply is turned OFF. </td> </tr> <tr> <td colspan="2" data-bbox="679 551 1449 651"> <ul style="list-style-type: none"> ● If electric supply is turned ON during verification of conduction between terminals by tester, there is risk of electric shock due to short circuit. </td> </tr> </table>	 WARNING	Kindly check the conduction between terminals by tester while electric supply is turned OFF.	<ul style="list-style-type: none"> ● If electric supply is turned ON during verification of conduction between terminals by tester, there is risk of electric shock due to short circuit. 	
 WARNING	Kindly check the conduction between terminals by tester while electric supply is turned OFF.				
<ul style="list-style-type: none"> ● If electric supply is turned ON during verification of conduction between terminals by tester, there is risk of electric shock due to short circuit. 					
<p>(11) There is stopping of traveling of carriage but no stopping of welding operation at pressing of Limit switch</p>	<p>1) Should be “with Self holding” option selected at welding current. * Kindly set it to “Without self-holding”. 2) Defective printed board.</p>				
<p>(12) There is stopping of welding operation but no stopping of traveling of carriage at pressing of Limit switch</p>	<p>1) Defective printed board</p>				
<p>(13) Absorption force is not weaken even at drawing off magnet lever</p>	<p>1) Defective magnet rotation shaft *If the rotating shaft broken it must be changed.</p>				
<p>(14) Error display E.007 is displayed.</p>	<p>1) Encoder line is connected to MD - CN 10. Connect the encoder line to MD - CN 5.</p>				
<p>(15) Error display E.008 is displayed.</p>	<p>1) Motor DC line and encoder line are pulled out or disconnected. *Kindly remove the operation panel and check state of these lines Motor DC line is connected to MD-CN4 and encoder line is connected to MD-CN-5.</p>				
<p>(16) Error display E.024 is displayed.</p>	<p>1) Motor to abnormal load is hanging. Please make sure the load is not applied to the motor.</p>				
<p>(17) Error display E.025, E.026 is displayed.</p>	<p>1) Truck of parameters, backup of the system parameters was not successful. After changing parameters, please do the backup and OFF the power while stopped.</p>				

(18) Digital display of speed units are different from the settings which are used.	<p>1) There is possibility that the setting of Metric and inch specifications are different from the used specification. Switch the unit on the basis of the switching method of operation. Refer to "✕metric, inch switch over method " for changing method.</p> <p><u>✕Be sure that metric inch switching operation is done when the board is replaced.</u></p>
(19) There is a wobble on Slide unit	Adjust the hexagon socket set screw M4 on the side of slide unit. Adjustment screws and fixing screws are provided in one hole.
(20) It is hard behavior of the magnet lever	<p>1) No grease of the sliding portion of the magnet lever and MG bracket</p> <p>2) Marked with foreign matter</p> <p>Decompose, coated with grease(Refer to parts list for specified grease)</p>

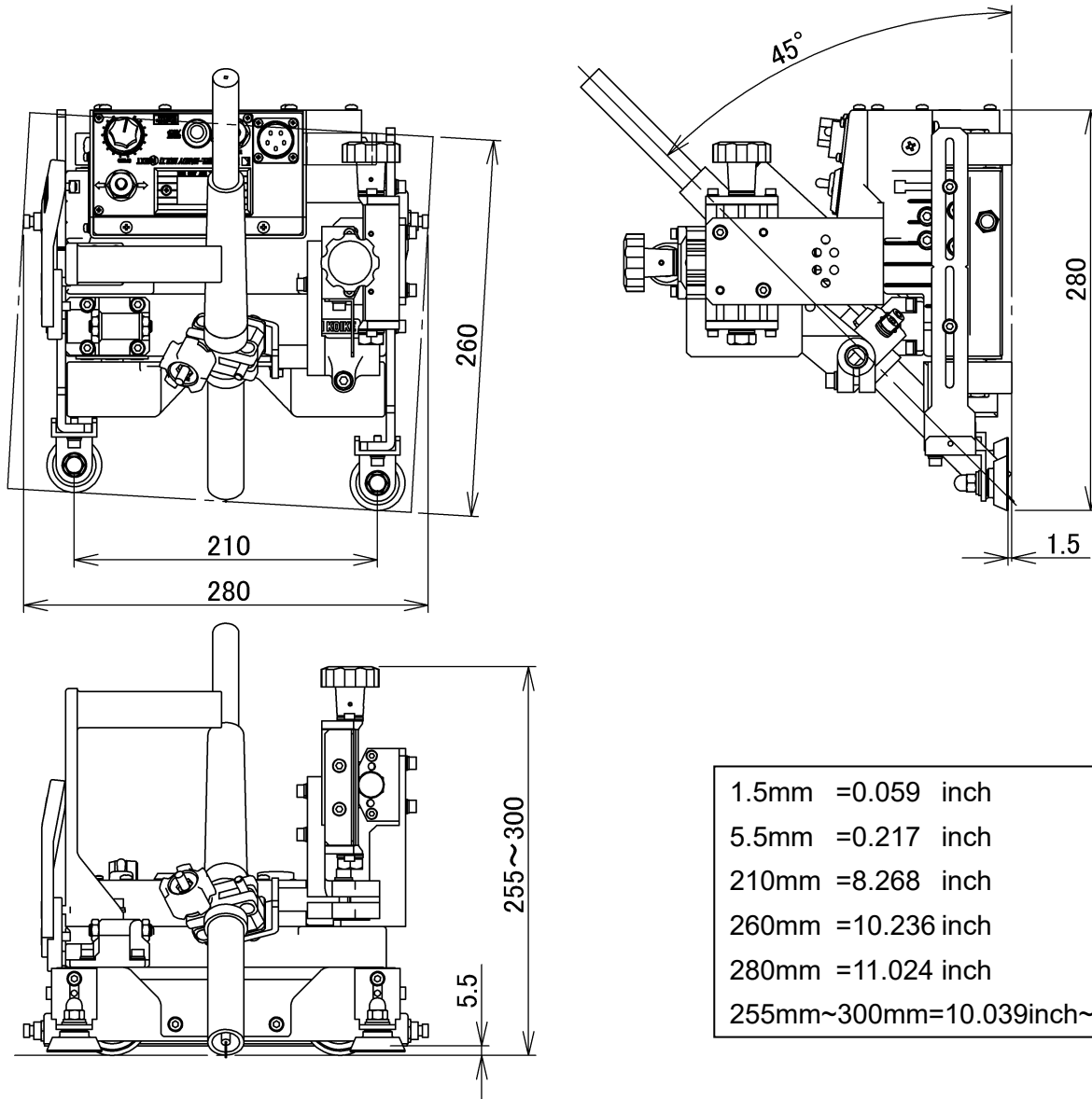
6.4 Warranty

This is thoroughly inspected and tested before leaving the factory, and guaranteed for 12 months from the date of purchase against defective workmanship and material. Should any trouble develop, return the complete equipment prepaid to KOIKE Sanso Kogyo Co., Ltd.
Authorized KOIKE Distributor.

7 Wiring diagram

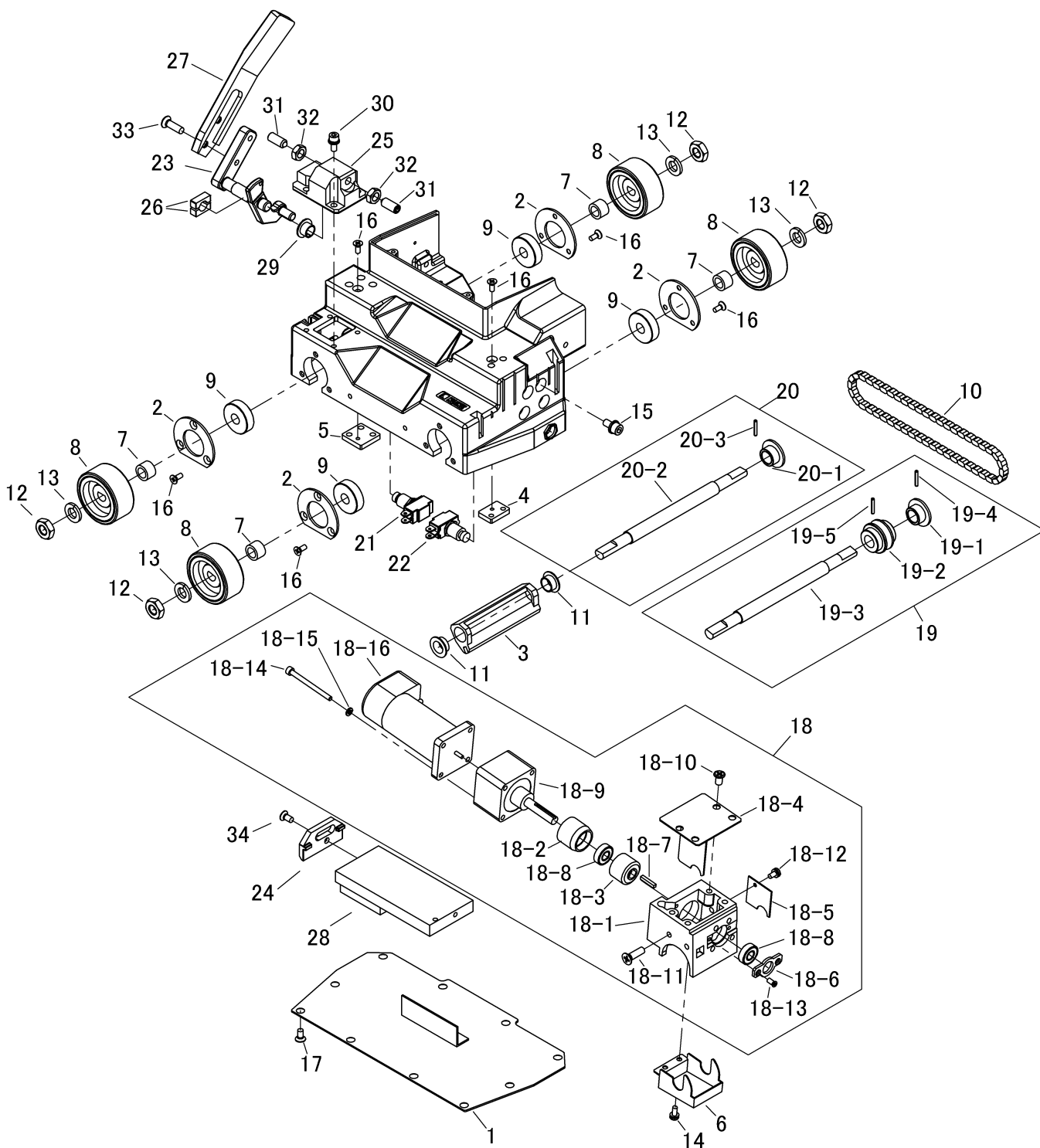


8 Assembly drawing of WEL-HANDY MULTI NEXT



9 Parts list

9.1 Main body and inside parts



Main body and inside parts

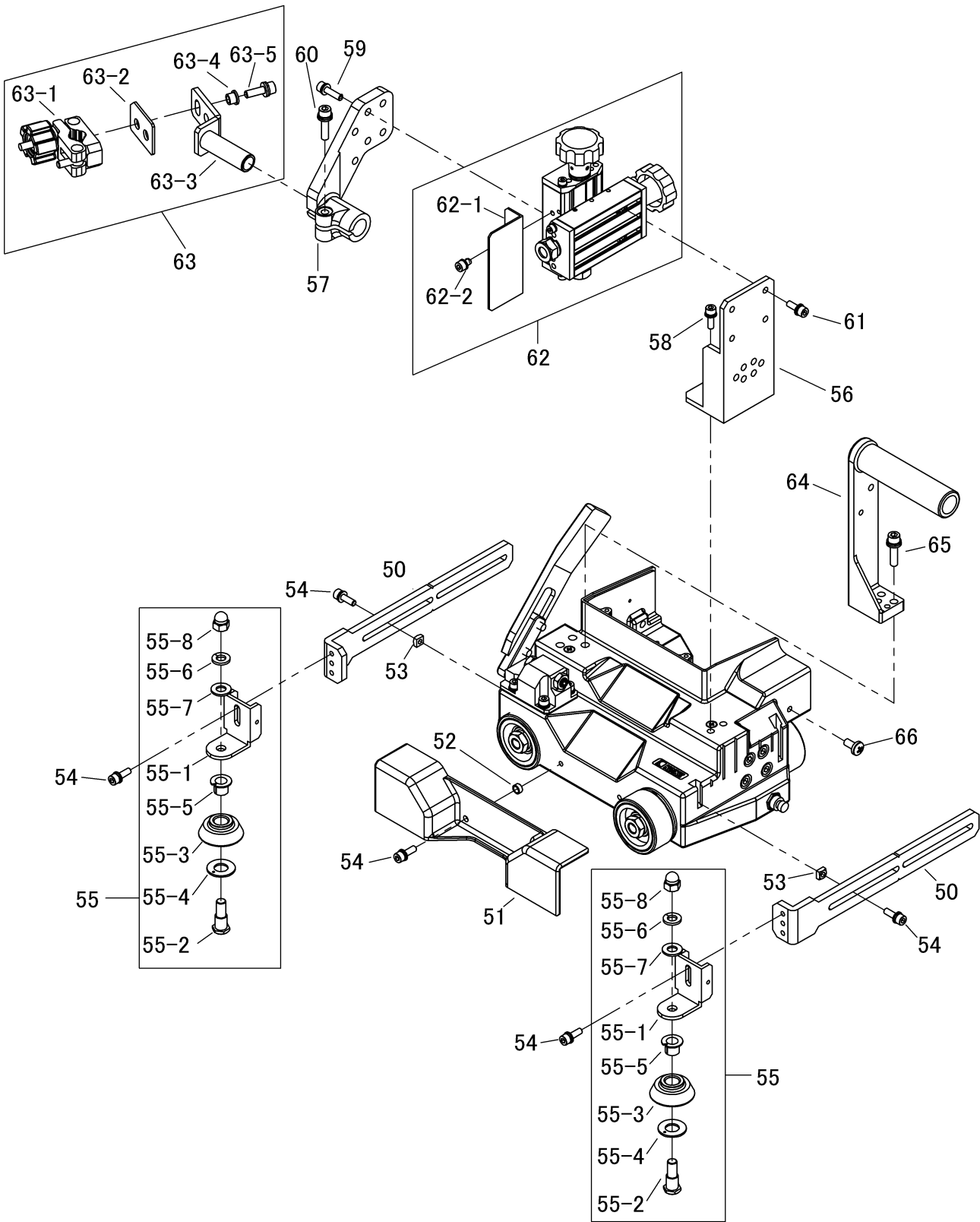
ITEM No.	PART NAME	QTY	STOCK No	REMARKS
1	Under cover	1	20503581	
2	Bearing plate	4	20503582	
3	MG Holding block	1	20503558	
4	Mounting plate A	1	20503583	
5	Mounting plate B	1	20503584	
6	Gear box under cover	1	20503576	
7	Spacer	4	61007553	
8	Drive roller	4	61000579	
9	Bearing	4	6A036200	6200ZZ
10	Chain	1	67000012	RS15-82 コマ
11	DU bush	2	60034035	MB1206-20FDU
12	Nut	4	6D030100	NH-10
13	Spring washer	4	6D510100	WS-10
14	Screw	1	6C530410	SP-4×10
15	Hexagon socket head cap screw	4	6C440612	BC-6×12 (WS)
16	Screw	14	6C500408	SF-4×8
17	Screw	10	6C500510	
18	Gear box assembly	1	20504347	
18-1	Gear box	1	20503565	
18-2	Gear box bearing spacer	1	20503575	
18-3	Worm gear	1	61007941	
18-4	Gear box cover	1	20503577	
18-5	Gear box side cover	1	20503578	
18-6	Gear box bearing plate	1	20503579	
18-7	Key	1	20503768	
18-8	Bearing	2	6A030698	
18-9	Gear head	1	61007942	IG-43-KS51/49
18-10	Screw	4	20504668	M6×10
18-11	Screw	1	6C500608	SF-6×8
18-12	Screw	1	6C570410	SP-4×10
18-13	Screw	2	20504669	M4×8

ITEM No.	PART NAME	QTY	STOCK No	REMARKS
18-14	Hexagon socket head cap screw	4	6C030450	BC-4×50
18-15	Spring washer	4	6D510040	WS-4
18-16	Motor	1	61007939	
19	Drive shaft assembly	1	20504449	
19-1	Sprocket	1	20503665	※2
19-2	Worm wheel	1	61007940	※2
19-3	Motor wheel shaft	1	61000568	J4105-10A03-1 ※2
19-4	Spring pin	1	6B022518	PR-2.5×18
19-5	Spring pin	1	5A001065-Y	PR-3×22
20	Idle shaft assembly	1	20504450	
20-1	Sprocket	1	20503665	※2
20-2	Motor wheel shaft	1	61000568	J4105-10A03-1 ※2
20-3	Spring pin	1	6B022518	PR-2.5×18
21	Limit switch(R)	1	61006497	
21-1	Push button switch	1	64000171	
22	Limit switch(L)	1	61006470	
22-1	Push button switch	1	64000171	
23	MG lever	1	20503408	
24	MG bracket	1	20503574	
25	MG lever holder	1	20503569	
26	MG lever collar	2	20503573	
27	Lever	1	61000641	J4105-13B08
28	Standard magnet	1	61007944	
	50kg magnet	(1)	61000733	
29	DU bush	1	6D710718	MB1007-18FDN
30	Hexagon socket head cap screw	4	6C450512	BC-5×12 (WF,WS)
31	Ball plunger	2	20503746	BSTH8A
32	Nut	2	6D030080	NH-8
33	Screw	2	6C500614	SF-6×14
34	Screw	1	6C500510	SF-5×10
35	grease	(1)	20505213	※1

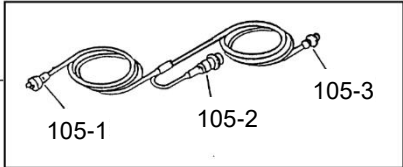
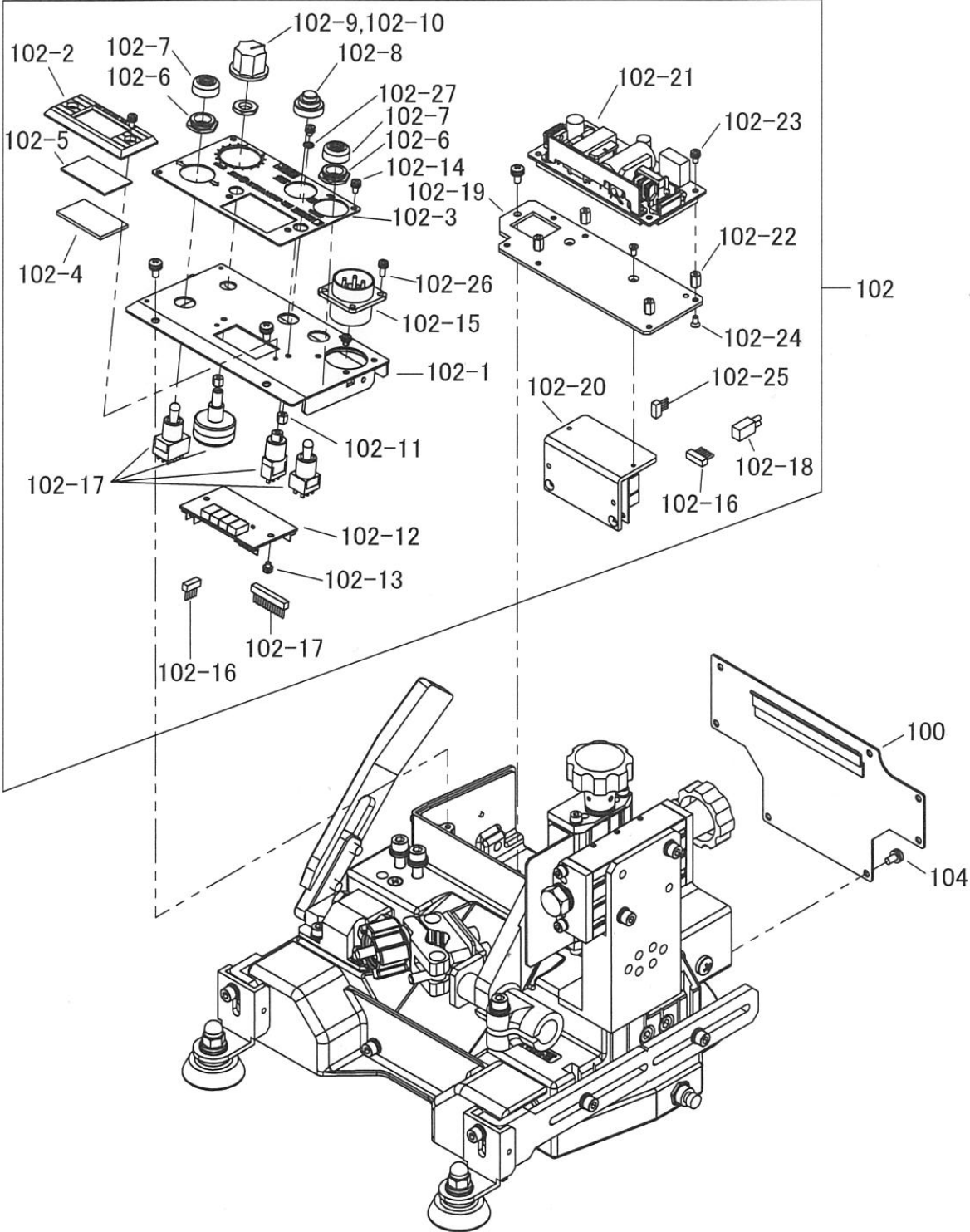
※1 It is grease to be applied to the long hole of No.24 MG bracket and the shaft of No.23 MG lever.

※2 It is necessary to drill and pin the holes to match the actual product.

9.2 Outside parts



9.3 Electrical parts



<MEMO>

WEL-HANDY MULTI NEXT
OPERATION MANUAL

Date of issue:	Feb.2019
2nd	Mar.2019
3rd	May.2019
4th	Jul.2019
5th	May.2020
6th	Nov.2020
6th	Apr.2024

KOIKE SANZO KOGYO CO.,LTD.

Printed in Japan